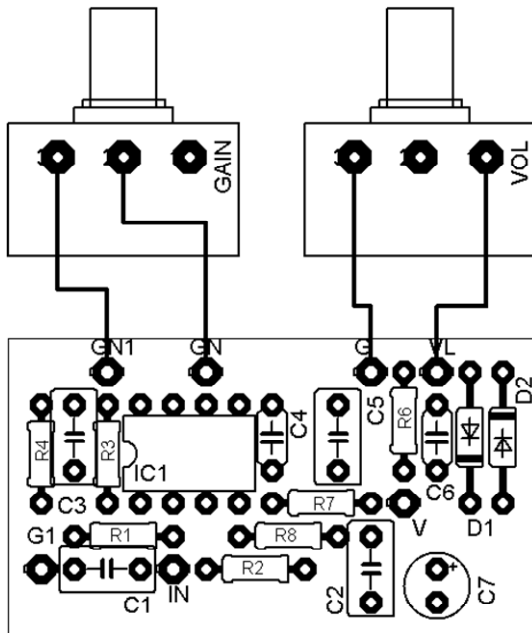


**741 Dist**



**Partlist**

R1	10k	C1	10n
R2	1m	C2	100n
R3	10k	C3	47n
R4	2k4-4k7	C4	47p
R6	100-1k	C5	47n
R7	1m	C6	1n-3n3
R8	1m	C7	1u/50v
VOL	10kA	IC1	UA741P
GAIN	500kA	D1-D2	1n60,1N34